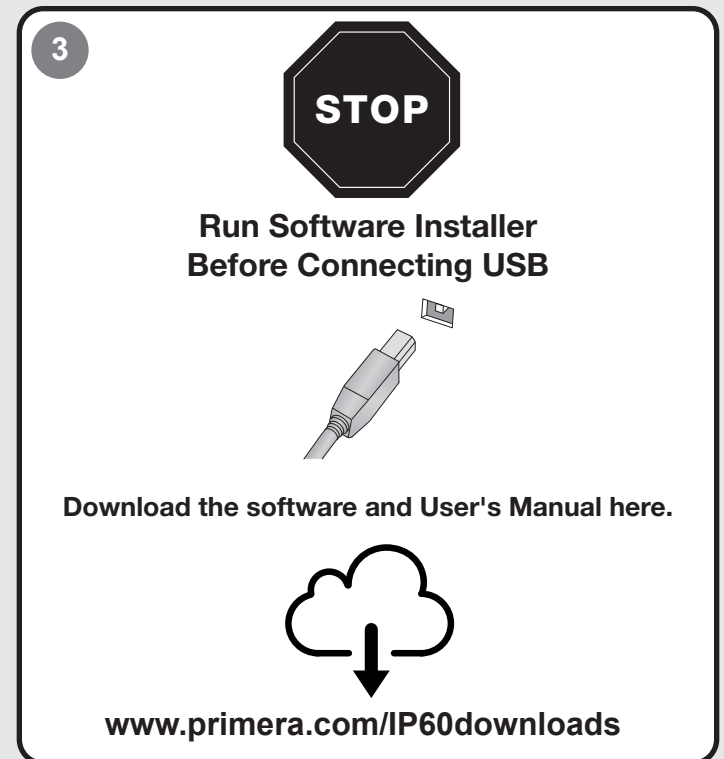
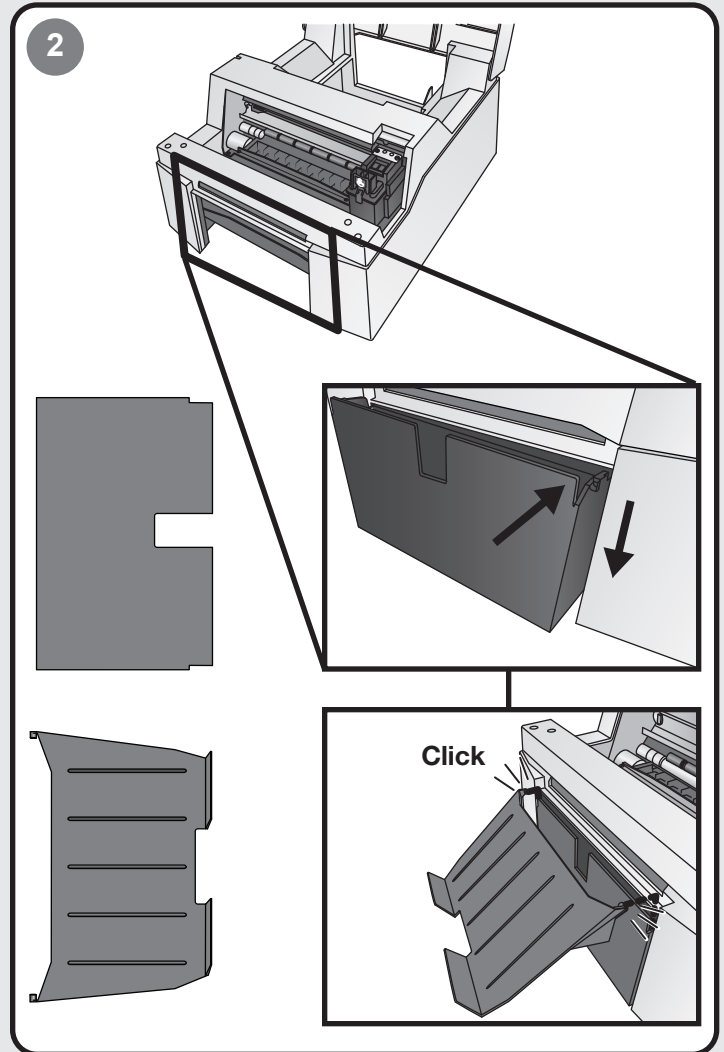
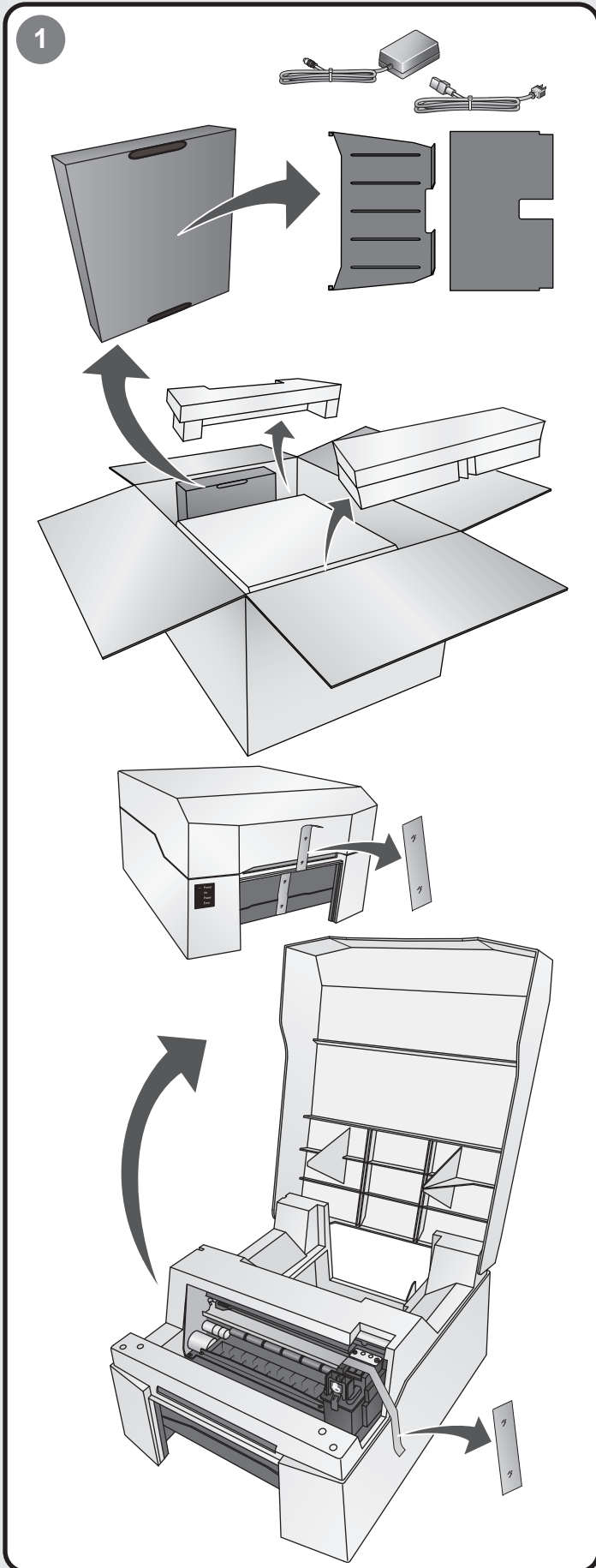
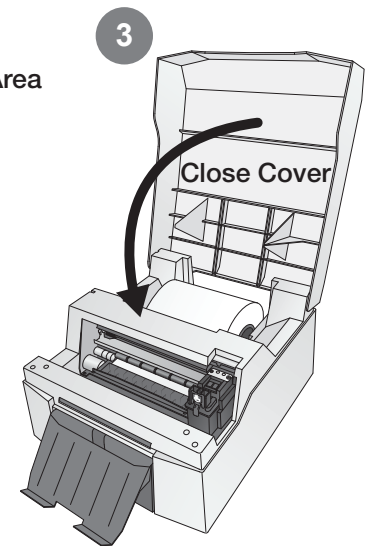
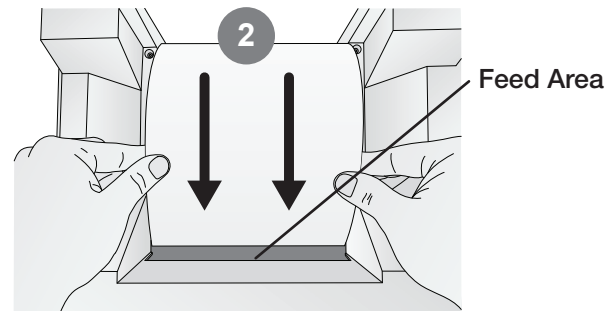
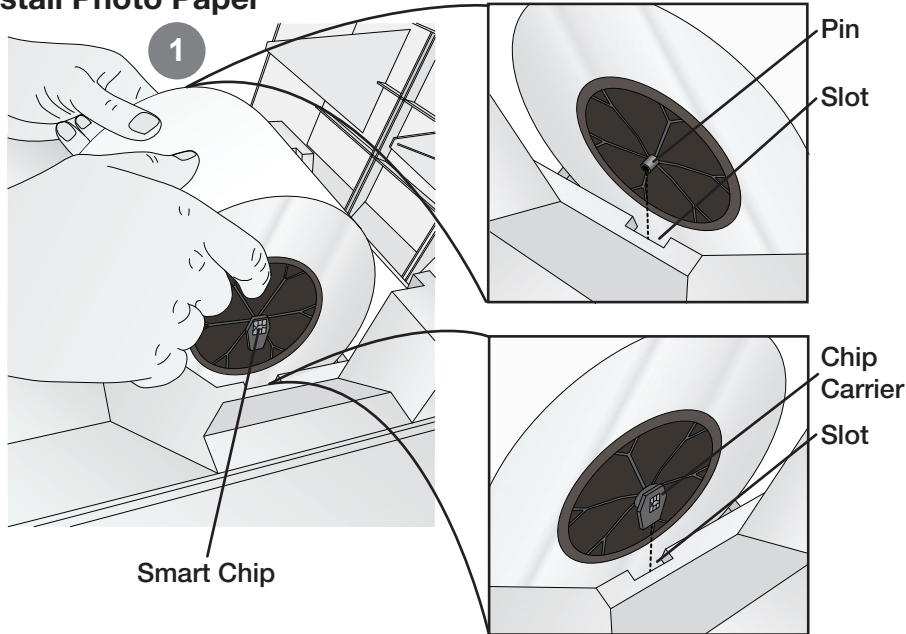


Impressa IP60 Quick Start Guide

PRIMERA
TECHNOLOGY, INC.



Install Photo Paper



1. Insert the roll of Photo Paper with the smart chip on the right side. The chip will fit into a corresponding slot on the right side of the printer. The pin on the left side of the roll will fit in the corresponding slot on the left side of the printer.

2. Use your thumbs to slowly turn the roll forward and guide the leading edge of the paper into the feed area. Using your pointer fingers as a guide keep the loose edge of the paper lined up with the rest of the roll. Keep feeding the paper forward until the printer grabs the paper and feeds it forward. (Power must be turned on.)

Install Ink Cartridge

